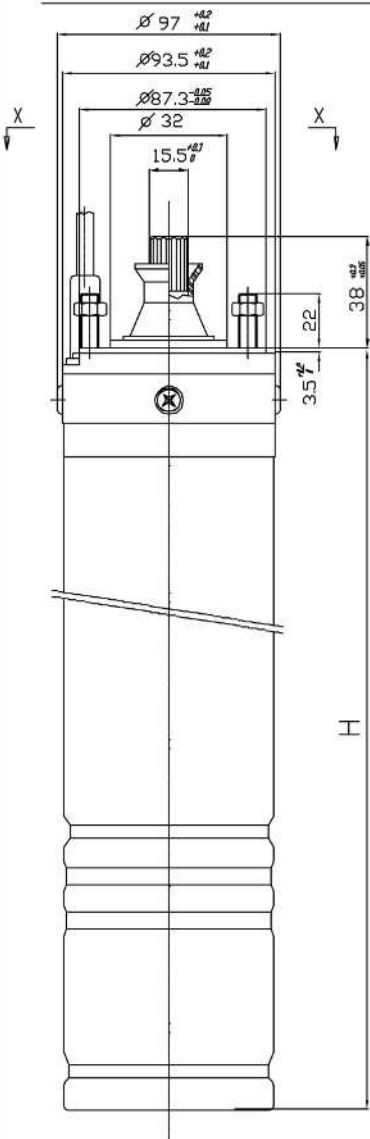


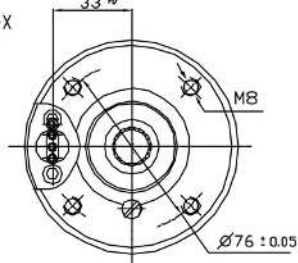


MOTORE SOMMERSO SERIE OPM/OPT
OIL FILLED SUBMERSIBLE MOTOR MOD. OPM/OPT

MODEL
OP4"



VISTA DA
VIEW FROM

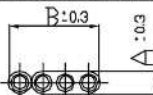


DIMENSIONE DEI CAVI
CABLE DIMENSION

2W series UP to 1.5Hp

2W series UP to 1.5Hp-3W series

9 ± 0.05



CONNETTORE CON CAVO SECONDO VDE 0295-VDE 0207 Std. E TERRA INTEGRALE
CONNECTOR WITH VDE 0295-VDE 0207 Std. CABLE AND INTEGRAL EARTH

Dati tecnici per i motori Sumoto serie OP4"
Technical data for Sumoto OP4" motors.

Tipo Type	kV	Hp	Carica assiale Thrust load	H mm	Sez. mmq.	Cavo-Cable A B	Peso Weight Kg			
Monofase - 220V/230V/50Hz	OPM 050	0.37	0.5	1500 N	325		7			
	OPM 075	0.55	0.75				7.6			
	OPM 100	0.75	1				8.7			
	OPM 150	1.1	1.5				10.3			
	OPM 200	1.5	2				12			
Monofase - 220V/230V/50Hz	OPM 300	2.2	3	4400 N	470		14.2			
	OPM 300	2.2	3				15.5			
	OPT 050	0.37	0.5				1500 N	304	1.5	6.5
	OPT 075	0.55	0.75							7.6
	OPT 100	0.75	1							8.7
OPT 150	1.1	1.5	10.3							
OPT 200	1.5	2	12							
Trifase - 220V/230V/50Hz	OPT 300	2.2	3	4400 N	466		14.2			
	OPT 400	3	4				18.5			
	OPT 400	3	4				19			
	OPT 550	4	5.5				20			
	OPT 750	5.5	7.5				22.4			
Trifase - 220V/230V/50Hz	OPT 1000	7.5	10	805			27			

La Sumoto S.r.l. si riserva di cambiare le caratteristiche senza preavviso.
Technical data eventually changeable without prior notice.

Dis. N° 61500000/M/04
Dwg N°

Sumoto

Rev. 06 - 02/2007 (6)

50 Hz	MONOFASE - SINGLE PHASE	Thrust Load N	Weight Kg	H mm	kW	Hp	In		RPM	Cosφ	Ts/Tn	EFF%	μF	Rm [Ω]	Ra [Ω]	T _{temp} °C	Maximal torque [Nm]	
							Start	Start										
Single phase 220V/230V 50 Hz	OPM 050	1500	7	325	0.37	0.5	3.4/3.6	10.2	2860	0.94	0.75	53	20	9.2	19.7	20	1.23	
	OPM 075		7.6	325	0.55	0.75	4.2/4.5	13.6	2855	0.94	0.63	61	25	6.3	10.6	20	1.83	
	OPM 100		8.7	350	0.75	1	5.8/6.0	18.5	2855	0.96	0.62	63	35	4.6	8.0	20	2.50	
	OPM 150		10.3	385	1.1	1.5	8.0/8.2	26	2855	0.97	0.62	67	40	3.2	6.3	20	3.68	
	OPM 200		12	420	1.5	2	10.8/11.0	34	2855	0.98	0.62	65	60	2.3	4.3	20	5.01	
	OPM 300	1500	14.2	470	2.2	3	14.6/14.8	48	2820	0.96	0.64	68	80	1.8	3.3	20	7.45	
	OPM500	4400	22	580	3.7	5	24/22	125	2840	0.95	0.5	69	100	1.0	1.5	20	12.44	
	Single phase 240V 50 Hz	OPM 050	1500	7	325	0.37	0.5	3.3	10	2850	0.97	0.70	53	20	9.2	19.7	20	1.24
		OPM 075		7.6	350	0.55	0.75	4.3	13.1	2830	0.94	0.63	58	25	7.2	10.1	20	1.85
		OPM 100		8.7	350	0.75	1	5.6	18.1	2830	0.96	0.62	53	35	4.6	8	20	2.53
OPM 150		10.3		385	1.1	1.5	7.5	24	2840	0.97	0.62	64	40	3.2	6.3	20	3.70	
OPM 200		12		420	1.5	2	10.1	33	2840	0.98	0.62	66	60	2.7	5.1	20	5.04	
OPM 300		1500	14.2	470	2.2	3	13.7	42	2850	0.97	0.64	66	80	1.8	3.3	20	7.37	
OPM500		4400	15.5	520	3.2	3	13.7	42	2850	0.97	0.64	66	80	1.8	3.3	20	7.37	

50 Hz	TRIFASE - THREE PHASE	Thrust Load N	Weight Kg	H mm	kW	Hp	In		RPM	Cosφ	Ts/Tn	EFF%	R [Ω]	T _{temp} °C	Maximal torque [Nm]	
							Start	Start								
Three phase 380V/400V 50Hz	OPT 050	1500	6.5	325	0.37	0.5	1.4/1.6	5	2840	0.72	2.8	58	35.7	20	1.24	
	OPT 075		6.5	325	0.55	0.75	1.9/2.0	7	2830	0.75	3.1	62	27.3	20	1.85	
	OPT 100		7.6	350	0.75	1	2.4/2.6	10	2830	0.74	3.3	67	19.7	20	2.53	
	OPT 150		8.7	350	1.1	1.5	3.2/3.4	14	2820	0.74	3.2	67	14.1	20	3.72	
	OPT 200		10.4	385	1.5	2	4.4/4.6	17	2820	0.72	3.4	68	9.3	20	5.07	
	OPT 300	1500	12	420	2.2	3	6.0/6.2	24	2820	0.76	3.1	74	7.5	20	7.45	
	OPT 400	2500	11.0	383	2.2	3	5.6/5.8	23	2850	0.82	2.9	78	6.2	20	7.37	
	OPT 300	5000	11.2	383			5.6/5.8	23	2850	0.82	2.9	78	6.2	20	7.37	
	OPT 400	4400	14.2	470			6.0/6.2	24	2820	0.76	3.1	74	7.5	20	7.45	
	OPT 400	2500	12.8	418			7.7/7.8	30	2860	0.80	2.8	78	6.2	20	10.00	
OPT 400	5000	13.1	418	7.7/7.8			30	2860	0.80	2.8	78	6.2	20	10.00		
OPT 550	2500	15.3	468	4	5.5	9.7/9.8	45	2825	0.82	3.0	78	4.6	20	13.52		
OPT 550	5000	15.6	468			9.7/9.8	45	2825	0.82	3.0	78	4.6	20	13.52		
OPT 550	4400	20.5	580			10.0/10.2	47	2840	0.78	3.5	75	3.8	20	13.44		
OPT 750	2500	18.6	538			13.5/13.8	55	2820	0.83	3.0	78	3.5	20	18.62		
OPT 750	5000	18.9	538			13.5/13.8	55	2820	0.83	3.0	78	3.5	20	18.62		
OPT 1000	4400	22.4	650	7.5	7.5	14.0/14.4	68	2830	0.79	3.5	76	2.7	20	18.55		
OPT 1000	4400	27	810			18.0/19.5	72	2820	0.78	3.2	76	1.9	20	25.40		
OPT 050	1500	6.5	325			0.37	0.5	2.5	6.6	2840	0.72	2.8	58	11.9	20	1.24
OPT 075		6.5	325			0.55	0.75	3.3	12.2	2830	0.75	3.1	62	9.1	20	1.85
OPT 100		7.6	350			0.75	1	4.2	17.3	2830	0.74	3.3	67	6.8	20	2.53
OPT 150		8.7	350	1.1	1.5	5.6	24.3	2820	0.74	3.2	67	4.7	20	3.72		
OPT 200		10.4	385	1.5	2	7.6	29.5	2820	0.72	3.4	68	3.1	20	5.07		
Three phase 220V 50Hz	OPT 300	1500	12	420	2.2	3	10.4	41.5	2820	0.76	3.1	74	2.5	20	7.45	
	OPT 300	5000	11.2	383			9.7	39.8	2850	0.82	2.9	78	2.1	20	7.37	
	OPT 300	4400	14.2	470			10.4	41.5	2820	0.76	3.1	74	2.5	20	7.45	
	OPT 400	2500	12.8	418			13.3	52	2860	0.80	2.8	78	2.1	20	10.00	
	OPT 400	5000	13.1	418			13.3	52	2860	0.80	2.8	78	2.1	20	10.00	
	OPT 550	2500	15.3	468	4	5.5	13.7	68	2860	0.78	3.5	75	1.5	20	13.52	
	OPT 550	5000	15.6	468			16.8	78	2825	0.82	3.0	78	1.5	20	13.52	
	OPT 550	4400	20.5	580			17.4	81	2840	0.78	3.5	75	1.3	20	13.44	
	OPT 750	2500	18.6	538			23.4	95	2820	0.83	3.0	78	1.2	20	18.62	
	OPT 750	5000	18.9	538			23.4	95	2820	0.83	3.0	78	1.2	20	18.62	
OPT 1000	4400	22.4	650	7.5	7.5	24.4	100	2830	0.79	3.5	76	0.9	20	18.55		
OPT 1000	4400	27	810			33.0	124	2820	0.78	3.2	76	0.6	20	25.40		
OPT 050	1500	6.5	325			0.37	0.5	1.1	4	2830	0.71	2.7	58	35.7	20	1.25
OPT 075		6.5	325			0.55	0.75	1.6	6	2830	0.72	2.9	62	27.3	20	1.85
OPT 100		7.6	350			0.75	1	2.2	9	2830	0.75	3.1	64	19.7	20	2.53
OPT 150		8.7	350	1.1	1.5	3.3	13	2820	0.74	3.2	65	14.1	20	3.72		
OPT 200		10.4	385	1.5	2	4.2	16	2830	0.74	3.2	65	9.3	20	5.06		
Three phase 415V 50Hz	OPT 300	1500	12	420	2.2	3	5.6	24	2820	0.75	3.2	66	7.5	20	7.45	
	OPT 300	5000	11.0	383			5.6	23	2850	0.82	2.9	78	6.2	20	7.37	
	OPT 300	4400	14.2	470			5.6	24	2820	0.78	3.1	72	7.5	20	7.45	
	OPT 400	2500	12.8	418			7.7	30	2860	0.80	2.8	78	6.2	20	10.00	
	OPT 400	5000	13.1	418			7.7	30	2860	0.80	2.8	78	6.2	20	10.00	
	OPT 550	2500	15.3	468	4	5.5	7.3	33	2840	0.75	3.2	75	4.6	20	10.10	
	OPT 550	5000	15.6	468			9.7	45	2825	0.82	3.0	78	4.6	20	13.52	
	OPT 550	4400	20.5	580			9.5	45	2830	0.79	3.3	76	3.8	20	13.45	
	OPT 750	2500	18.6	538			13.5	55	2820	0.83	3.0	78	3.5	20	18.62	
	OPT 750	5000	18.9	538			13.5	55	2820	0.83	3.0	78	3.5	20	18.62	
OPT 1000	4400	22.4	650	7.5	7.5	13.0	56	2830	0.78	3.3	76	2.7	20	18.55		
OPT 1000	4400	27	810			17.0	70	2820	0.83	3.2	77	1.9	20	25.40		